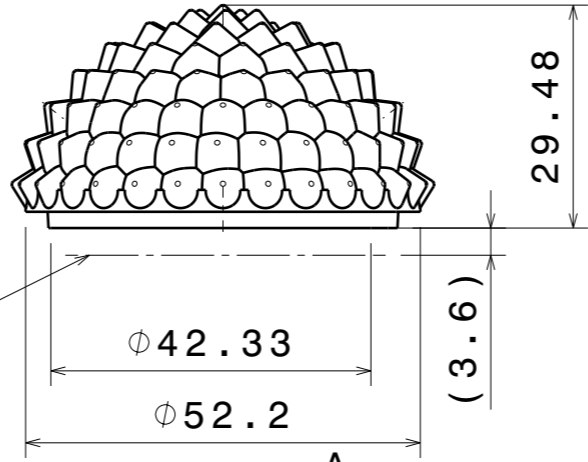


H G F E D C B A

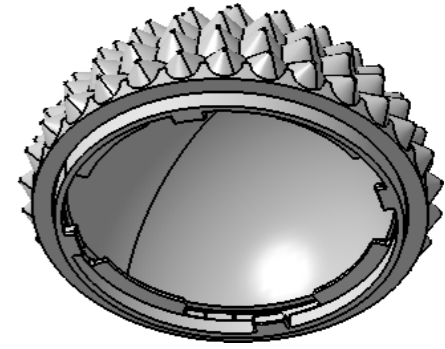
4

Front view



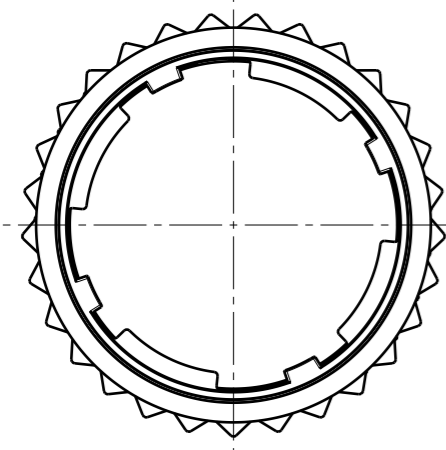
PWB level when Hekla socket

3

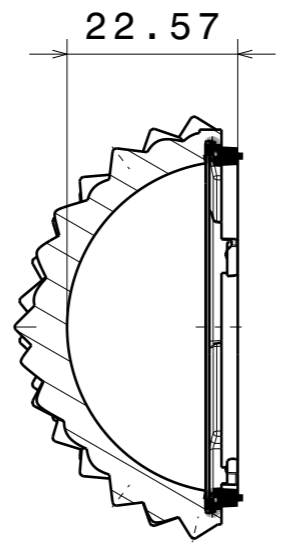


Isometric view

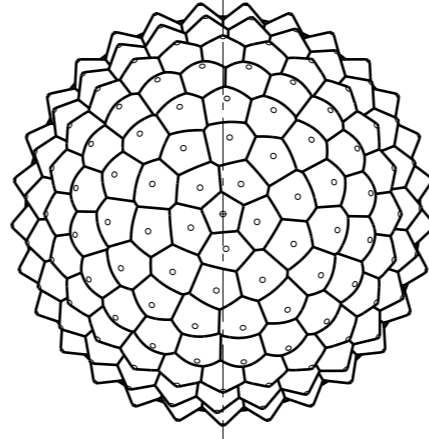
2



Bottom view




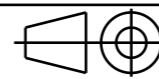
A-cut view



Top view

1

INDEX	PART NO	DESCRIPTION	MATERIAL	COLOUR
1	F15526	ZORYA-SC-ADAPTER-HEKLA	PC	Clear
2	F15074	ZORYA-SC	Silicon	Clear

Tolerances if not otherwise shown According to DIN ISO 2768-1 Linear measures: Up to 30mm class M, otherwise class C. According to DIN ISO 2768-2 Form and position: class L		 Ledil Oy Joensuukatu 13 FIN 24100 SALO Finland		
THIRD ANGLE PROJECTION: 		DRAWING TITLE FP15072_ZORYA-SC-C		
This drawing is the property of LEDiL Oy. It may not be reproduced, copied or communicated without a written agreement with LEDiL Oy.		SIZE A3	PART NUMBER FP15072	
		SCALE 1:1	WEIGHT 26,5 g	SHEET 1/1

H G B A